

OSAKA

BATTERIES

MCB VRLA (12V) Batteries

VRLA AGM batteries are known for quality and long lasting performance. Our range of motorcycle battery products in VRLA versions is from 3.5 AH to 9 AH. These batteries are used in motorcycles as well as in utility equipment like lawn mowers, computers etc. VRLA MCB batteries are sealed with immobilized electrolyte which does not require top-up during use.



**Sealed Valve Regulated Lead Acid
Motorcycle Batteries**



MCB VRLA (12V) Batteries

Application

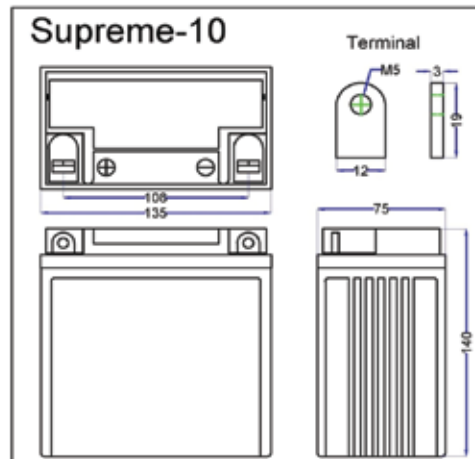
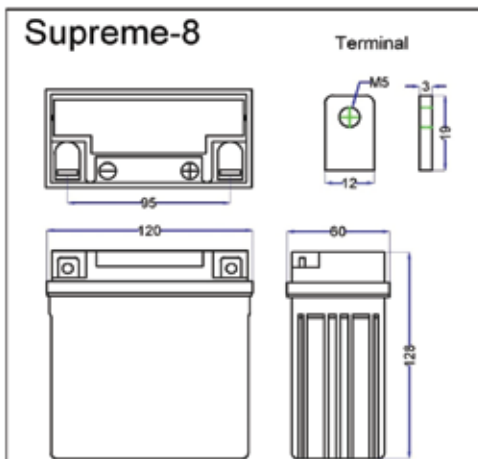
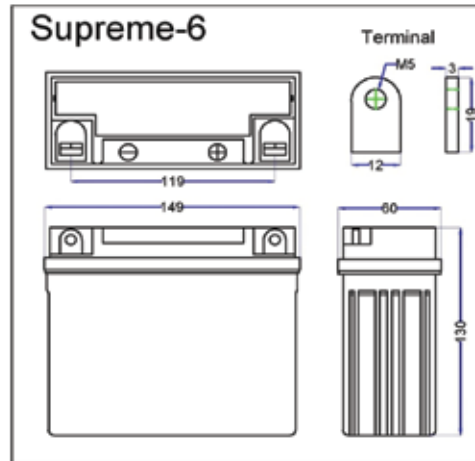
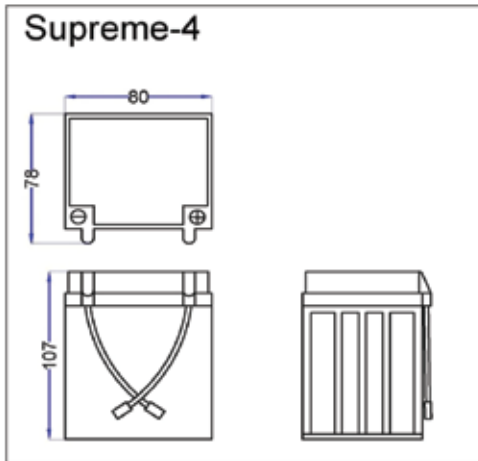
- Kick Start Motor Cycles
- Self Start Motor Cycles
- Self Start 3 Wheeler
- 1~2.5 KV Generator

Product Feature

- Sealed & maintenance free operation.
- AGM and gas recombination technology with 98% internal recombination.
- Non-Spillable construction design.
- ABS container & cover
- Safety valve installation for explosion proof.

Main Specification & Type

| International Nomenclature | Type | Nominal Voltage | Overall Dimensions±2 (mm) | | | | Appox Weight with Acid (±5% kg) | 10 Hour Rate Capacity (AH) | Terminal Type |
|----------------------------|------------|-----------------|---------------------------|----|-----|-----|---------------------------------|----------------------------|---------------|
| | | | L | W | H | TH | | | |
| | Supreme 4 | 12V | 80 | 78 | 107 | 107 | 1.3 | 2.5AH | Lead Wire |
| 12N5-3B | Supreme 6 | 12V | 149 | 60 | 130 | 130 | 2.1 | 5AH | Bolt & Nut |
| 12N7-3B | Supreme 8 | 12V | 120 | 60 | 128 | 128 | 2.8 | 7AH | Bolt & Nut |
| 12N9-4B | Supreme 10 | 12V | 135 | 75 | 140 | 140 | 3.5 | 9AH | Bolt & Nut |



Technical Data

Low self discharge: Less than 3% /month.

Anti-vibration characteristic

12.7V, No leakage of electrolyte, No breakage of container, after vibrating vertical acceleration rate of 68.6m/s² frequency 50-500HZ for 2 hours

Can be store for a long time period and no need to recharge during storage

But, boost charging is required every six months to maintain battery performance and extend life.

Boost Charge

| Type | Charging current(A) | Storage period | Boosting Charging (Time) | | |
|------|---------------------------|----------------|--------------------------|--------|---|
| | | | Summer | Winter | |
| VRLA | 0.1 C ₁₀ A | 15days~1months | 1 Hr | 1 Hr | Ordinary: 3 months Maximum: 6 months |
| | | 2 months | 2 Hr | 2 Hr | |
| | | 3 months | 3.5 Hr | 3Hr | |
| | 1/2*0.1 C ₁₀ A | 4 months | 8 Hr | 8 Hr | |
| | | 5 months | 10Hr | 9 Hr | |
| | | 6 months | 12Hr | 10 Hr | |

Summer: May~September, Winter: October~April

Keep temperature below 50°C during boost charge.



Pakistan Accumulators (Pvt) Limited

Factory: Plot # 20, 21, 22 Phase III, Industrial Estate, Hattar, Distt. Haripur KPK, Pakistan

UAN: +92-51-111-22-00-22, Fax: +92-51-2855164 | URL: www.volta.com.pk | Email: VRLA@volta.com.pk

*All data and specifications are subject to change without any prior notice.