

OSAKA

BATTERIES

Motive Power (6V & 8V) Batteries

We are also pioneer in manufacturing advanced motive power batteries in Pakistan. Our range of Golf Cart batteries is manufactured in Tubular Plate & Pasted plate version.



**Longer Life
Deep Cycle Battery**



Motive Power (6V & 8V) Batteries

Application

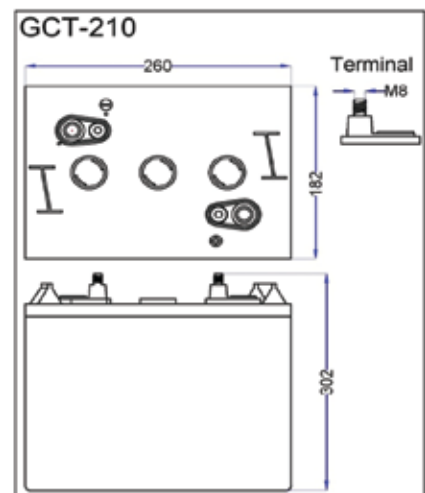
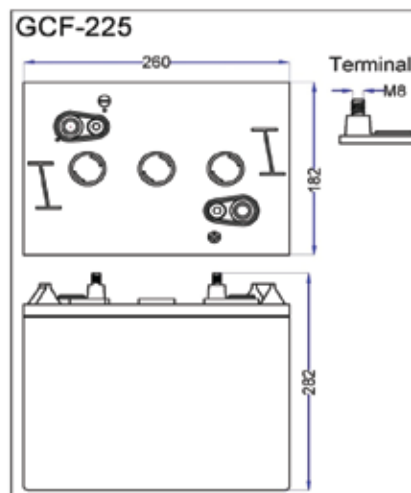
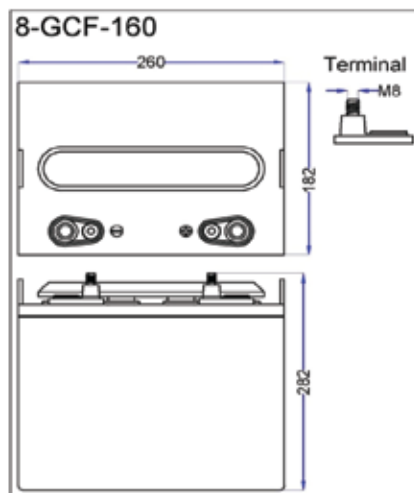
- For Golf Carts
- Electric Fork Lifters
- Electric Vehicles
- Electric Floor Machineris

Product Feature

- Flooded / wet battery
- Deep cycle battery.
- Container and cover material : Polypropylene
- PE separator.
- Excellent charge acceptance
- Long life service battery

Main Specification & Type

Type	Plate	Nominal Voltage	Overall Dimensions±2 (mm)				Appox Weight with Acid (±5% kg)	25A Discharge Reserve Capacity(Mins)	20 Hour Rate Capacity (AH)	Terminal type
			L	W	H	TH				
8GCF160	Flat plate	8 V	260	182	248	282	31	321	160 AH	Stud
GCF 225	Flat plate	6 V	260	182	248	282	30	437	225 AH	Terminal
GCT 210	Tubular plate	6 V	260	182	268	302	31	400	210 AH	



Technical Data

Charger voltage settings at 25°C

System Voltage	6V	12V	24V	36V	48V
Daily Charge	7.4	14.8	29.6	44.4	59.2
Float	6.6	13.2	26.4	39.6	52.8
Equalize	7.75	15.5	31	46.5	62

Do not charge batteries non ventilated area.

Under and over charging will damage the battery and shorten its life as with any batteries.

Charging temperature coefficient

Temperature	Coefficient factor	
Below 25°C	0.28 V	Add 0.28 V /Every 5°C
Above 25°C	0.28 V	Subtract 0.28 V /Every 5°C

Operation Temperature

Operation Temperature: "-20°C~45°C

At 0°C maintain a state of charge greater than 60%

Self discharge

5~10% /month depending on storage temperature condition



Pakistan Accumulators (Pvt) Limited

Factory: Plot # 20, 21, 22 Phase III, Industrial Estate, Hattar, Distt. Haripur KPK, Pakistan

UAN: +92-51-111-22-00-22, Fax: +92-51-2855164 | URL: www.volta.com.pk | Email: VRLA@volta.com.pk

*All data and specifications are subject to change without any prior notice.